

BECLAWAT



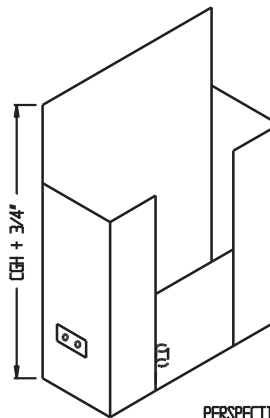
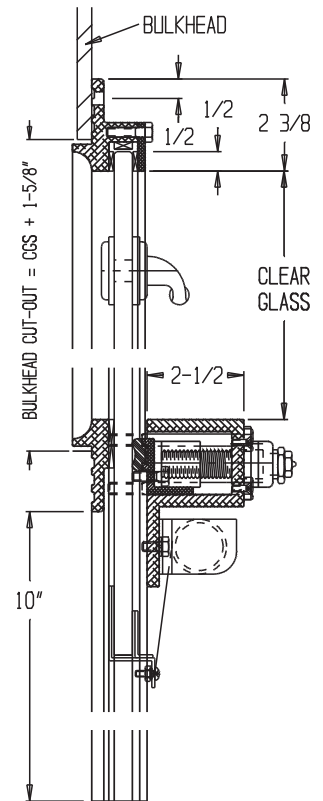
70870 - Vertical Sliding Aluminum Bolt-on Window - Spring Balanced



This heavy marine vertical sliding aluminum weathertight window is available in custom shapes and sizes. This window has a bolt-on style frame and a 1/2" or 1" spigot that projects through the bulkhead opening. It will suit a glass thickness of 10-19mm.

Felt weather strips are used to seal the window when the waist rail clamp is activated. Spring balances are bolted to the underside of the waist rail and are easily removed when a replacement spring is required. A stainless steel drip pan is provided with each window (not pictured here).

Pictured window has a clear anodized finish frame with radius corners. Other finishes are available. Glass is clear solid tempered. Other tinted glass options are available. Heated glass can be adapted to this type of frame.



For more information
Call: 613-966-5611

Email:
info@beclawat.com



BECLAWAT Manufacturing Inc.
90 Hanna Crt. Belleville, ON K8P 5H2 Canada
Ph: 613-966-5611 Fx: 613-966-0878 www.beclawat.com

