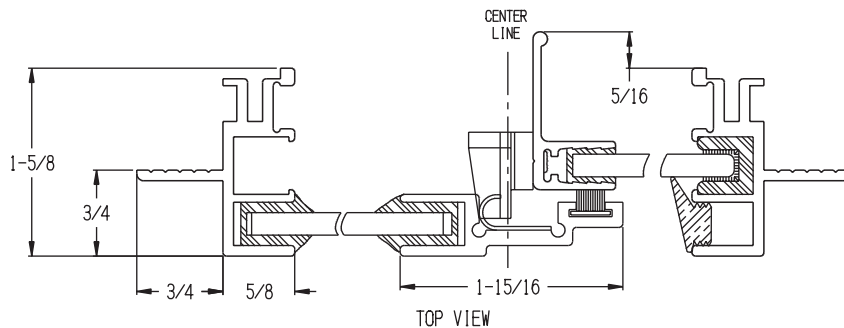


# BECLAWAT



## 71045 - Horiz. Aluminum Sliding Clamp-on/Bolt-on



For more information  
Call: 613-966-5611  
Email:  
info@beclawat.com

This horizontal sliding light frame aluminum window is available in custom shapes and sizes. This window has a clamp or bolt-on style frame. It will suit a glass thickness of **5mm only**. Some features of this window include the rear glass sliding open to the front and a removable sliding screen.

Pictured window has a clear anodized finish frame with 3" radius corners and a removable sliding screen. Other finishes and tinted glass are available. Tempered glass is preferred.



**BECLAWAT** Manufacturing Inc.  
90 Hanna Crt. Belleville, ON K8P 5H2 Canada  
Ph: 613-966-5611 Fx: 613-966-0878 www.beclawat.com

