

# BECLAWAT

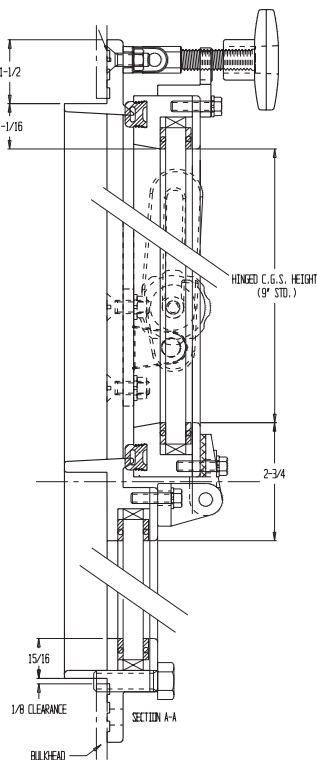


## 71101 - Vent Top Opening In Aluminum Bolt-on Window

This heavy marine aluminum watertight window has a top vent hinging inward. It is available in custom shapes and sizes. This window has a bolt-on style frame and a 1" spigot that projects through the bulkhead opening. It will suit a glass thickness of 10-19mm.

Once the glass pressure clamps are tightened, an exterior rubber seals the window to be watertight.

Pictured window has a white powdercoated finish frame with radius corners. Other finishes are available. Glass is clear tempered. Other tinted glass options are available. Heated glass can be adapted to this type of frame. A removable screen is also pictured here.



For more information  
Call: 613-966-5611

Email:  
info@beclawat.com



**BECLAWAT** Manufacturing Inc.  
90 Hanna Crt. Belleville, ON K8P 5H2 Canada  
Ph: 613-966-5611 Fx: 613-966-0878 www.beclawat.com

