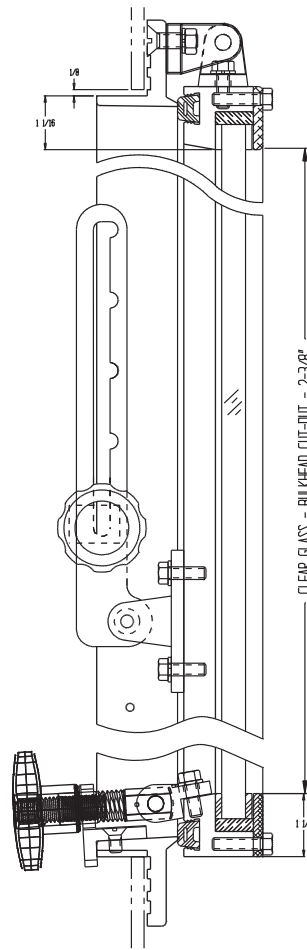


BECLAWAT



71111 - Full Hinged Out Vent Aluminum Bolt-on Window



This heavy marine aluminum watertight window is a full vent hinging inward. It is available in custom shapes and sizes. This window has a bolt-on style frame and a 1" spigot that projects through the bulkhead opening. It will suit a glass thickness of 10-19mm.

Once the glass pressure clamps are tightened, an exterior rubber seals the window to be watertight. Hardware is bronze and the standard quadrant arm, "hold opens," are made of stainless steel have 3 and 5 position options.

Pictured window has a blue powdercoated finish frame with radius corners. Other finishes are available.
Glass is clear laminated. Other tinted glass options are available.
Heated glass can be adapted to this type of frame.

For more information
Call: 613-966-5611

Email:
info@beclawat.com



BECLAWAT Manufacturing Inc.
90 Hanna Crt. Belleville, ON K8P 5H2 Canada
Ph: 613-966-5611 Fx: 613-966-0878 www.beclawat.com

