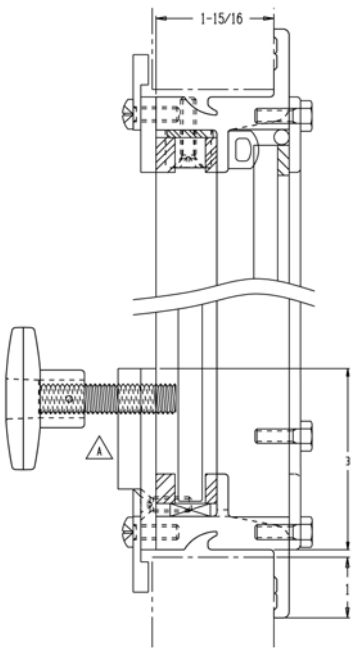


BECLAWAT



72449 - Horiz. Alum. Sliding Clamp-on Weathertight Window



This heavy marine horizontal sliding weathertight window is suitable for clamp-on, clip-on or bolt-on style frame. It will suit glass thicknesses from 10mm or thicker.

This window has an aluminum retaining ring and a full length handle for ease of opening. Felt weather strips are used to seal the window once the glass pressure clamps are tightened. A 4" high inner dam is added for extra protection against water penetration under severe conditions. A rubber seal on the exterior prevents most water infiltration.

Pictured window has a black powdercoat finish with radius corners. This particular glass is ballistic rated at NIJ III. The pictured window has passed the NIJ III test shots. Other tints and various glass thickness options are available. Heated glass can be adapted to this type of frame. Specialized hardware options are available.

For more information
Call: 613-966-5611

Email:
info@beclawat.com



BECLAWAT Manufacturing Inc.
90 Hanna Crt. Belleville, ON K8P 5H2 Canada
Ph: 613-966-5611 Fx: 613-966-0878 www.beclawat.com

