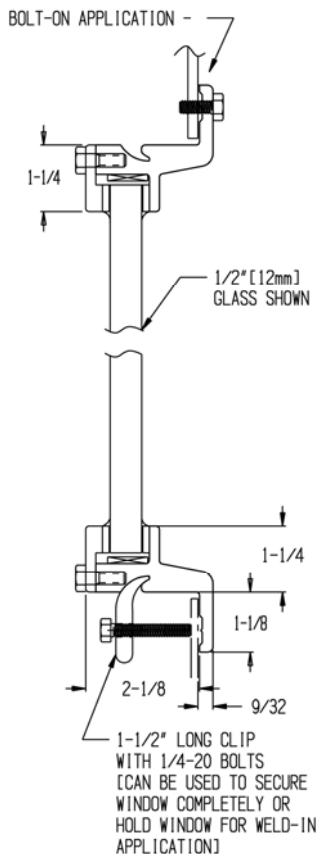


BECLAWAT



72450 - Alum. Fixed Clamp-on Watertight Window



For more information
Call: 613-966-5611

Email:
info@beclawat.com

This heavy marine fixed aluminum window is watertight and available in custom shapes and sizes. This window has a clamp on, clip-on or bolt-on style frame. It will suit a glass thickness of 10mm or thicker.

Pictured window has a black powdercoat finish with radius corners. This particular glass is ballistic rated at NIJ III. The pictured window has passed the NIJ III test shots. Other tinting and various glass thickness options are available. Heated glass can be adapted to this type of frame.



BECLAWAT Manufacturing Inc.
90 Hanna Crt. Belleville, ON K8P 5H2 Canada
Ph: 613-966-5611 Fx: 613-966-0878 www.beclawat.com

